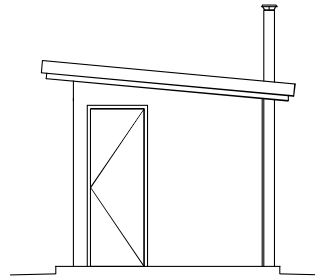
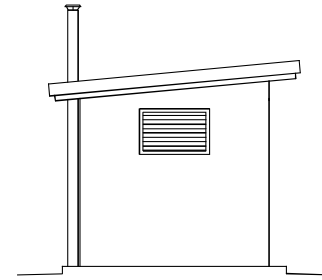


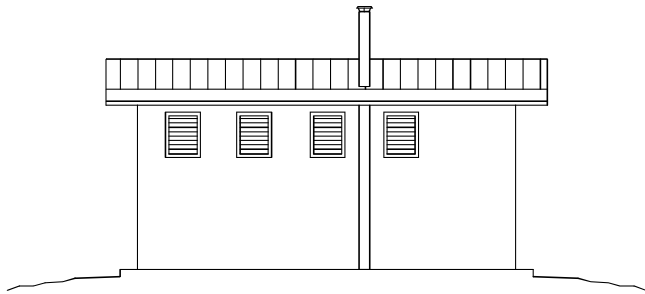
FRONT ELEVATION



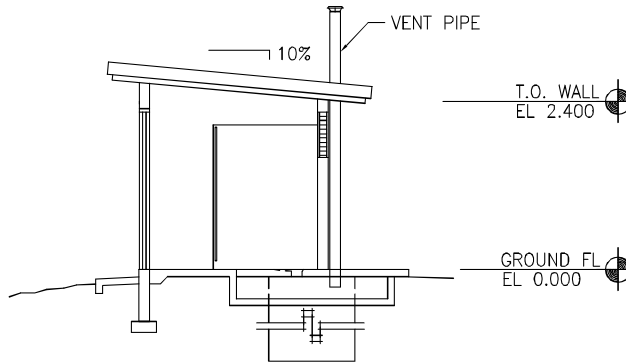
END ELEVATION



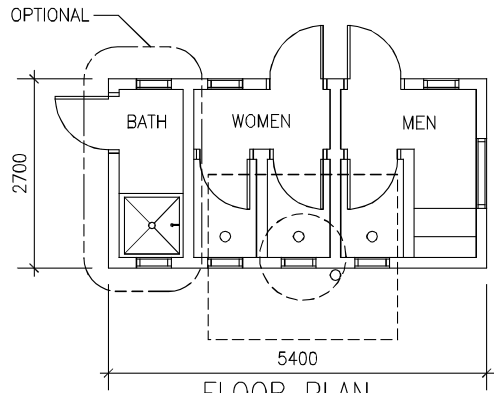
END ELEVATION



REAR ELEVATION



TRANSVERSE SECTION



FLOOR PLAN

TITLE: **PIT TOILET
(SHOWER OPTIONAL WHEN APARTMENT
IS PROVIDED)**

NOTES:

SCALE: 1:100

REVISION DATE: 12 NOV 00

SHEET NO. 07