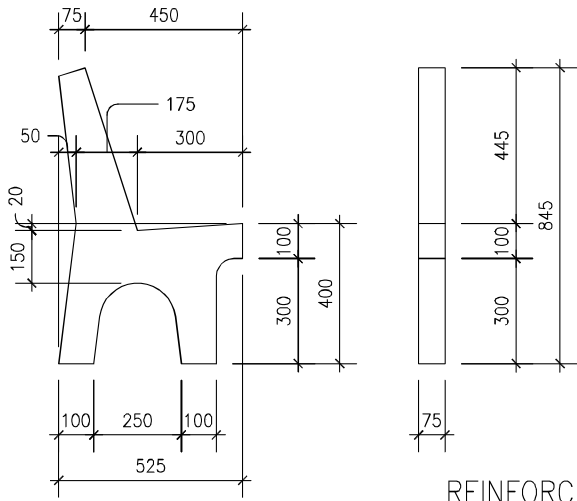
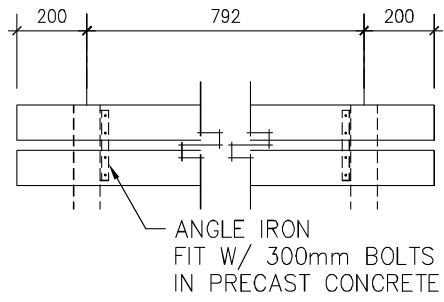
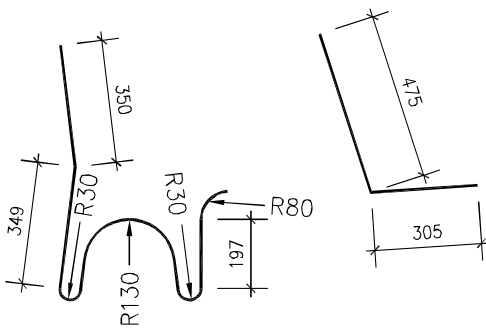
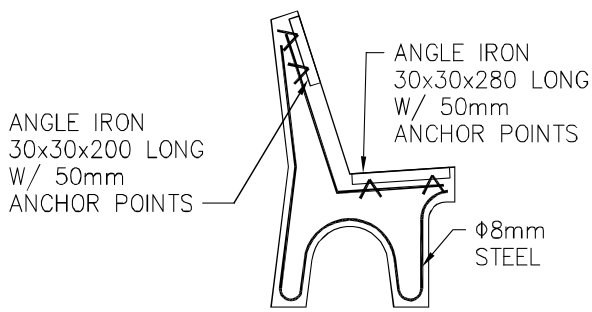
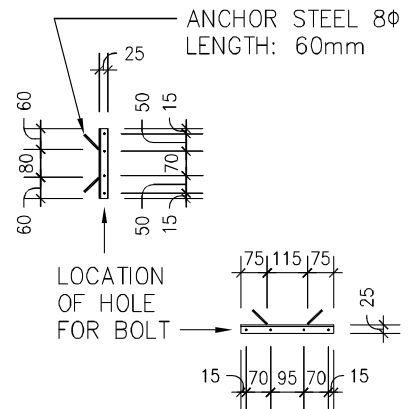
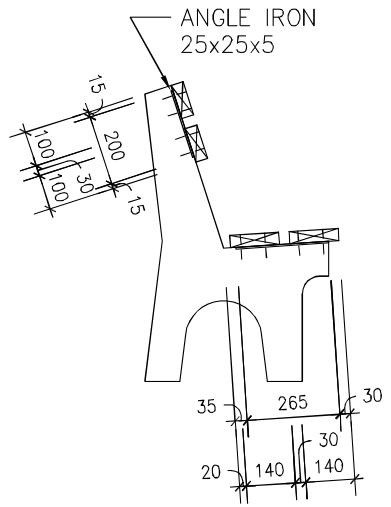


MOLD



REINFORCEMENT



TITLE: **STANDARD KINGDOM HALL BENCH WITH CONCRETE LEGS (CAN BE USED FOR OPEN SIDED HALLS)**

NOTES:

SCALE: 1:20

REVISION DATE: 12 NOV 00

SHEET NO. 13