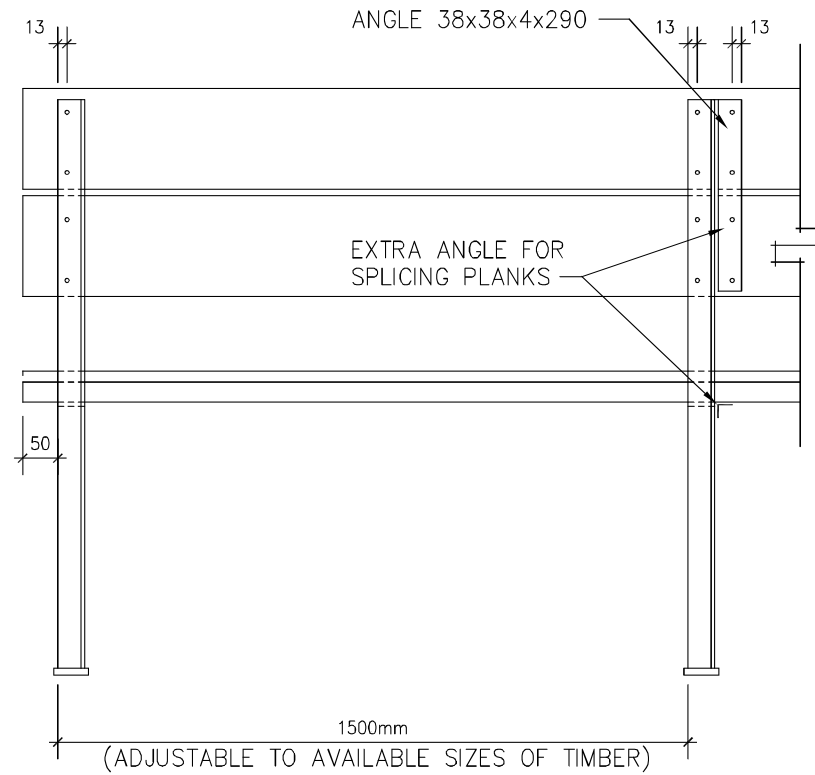


SIDE ELEVATION



BACK ELEVATION

25x150 PLANKS  
ATTACH WITH CARRIAGE BOLTS

40Wx360Lx4T PLATE

25x150 PLANKS  
(THICKNESS DEPENDS  
ON KIND OF WOOD)  
ATTACH WITH  
CARRIAGE BOLTS

38x38x4 ANGLE

ANGLE 38x38x4x290

50Wx220Lx10T PLATE  
BOLTED TO FLOOR  
WITH 2-10mm  
ANCHOR BOLTS

EXTRA ANGLE FOR  
SPLICING PLANKS

1500mm  
(ADJUSTABLE TO AVAILABLE SIZES OF TIMBER)

NOTES:

- 1) WELD ALL STEEL CONNECTIONS
- 2) WOOD PLANKS:  
ROUND OR BEVEL EDGES.  
STAIN AND POLYURETHANE.
- 3) METAL SUPPORTS:  
BEVEL AND RADIUS ALL EXPOSED CORNERS.  
PRIME AND PAINT.

TITLE: **STANDARD KINGDOM HALL BENCH WITH  
STEEL LEGS**

NOTES:

SCALE: 1:10

REVISION DATE: 12 NOV 00

**SHEET NO. 12**